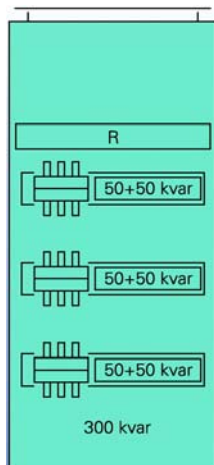


EPCOS AG, GERMANY

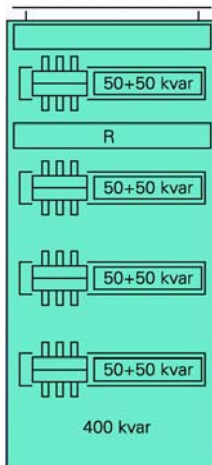
EPCOS AG is the legal successor to Siemens Matsushita Components GmbH.

Dimension of Basic Capacitor Bank without reactor

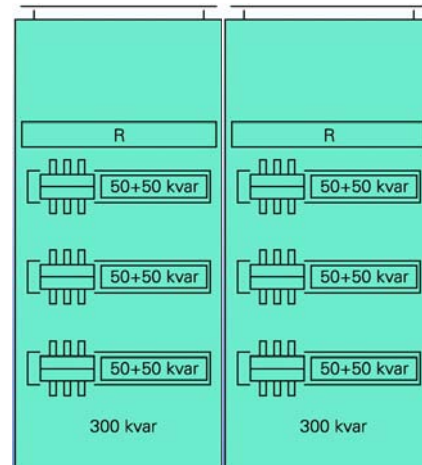
Recommended design variants for total ratings 300 kvar to 900 kvar



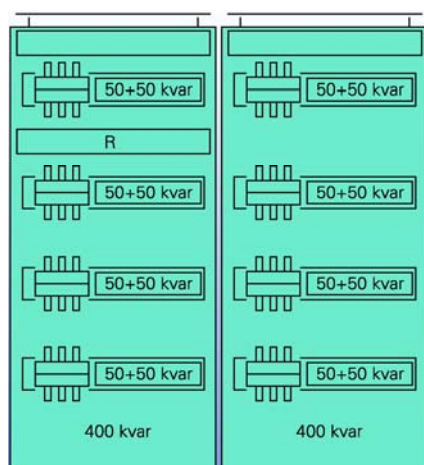
Total 300 kvar
2200x800x600 mm
Dimension H x W x D



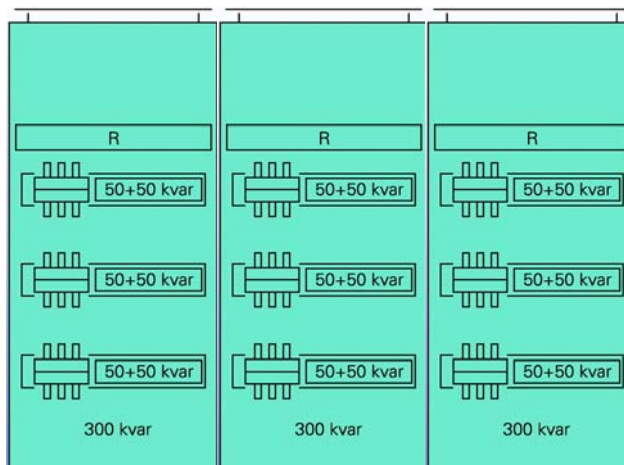
Total 400 kvar
2200x800x600 mm
Dimension H x W x D



Total 500 - 600 kvar
2200x1600x600 mm
Dimension H x W x D



Total 700 - 800 kvar
2200x1600x600 mm
Dimension H x W x D



Total 900 kvar
2200x2400x600 mm
Dimension H x W x D