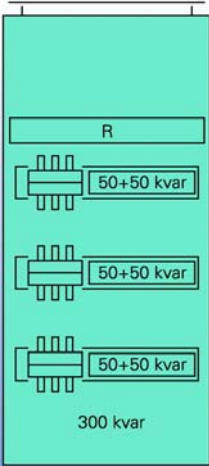


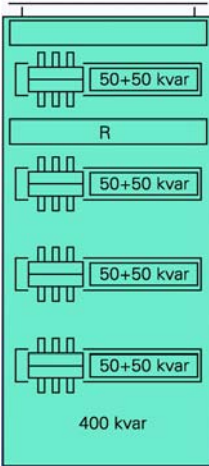
# EPCOS AG, GERMANY

EPCOS AG is the legal successor to Siemens Matsushita Components GmbH.

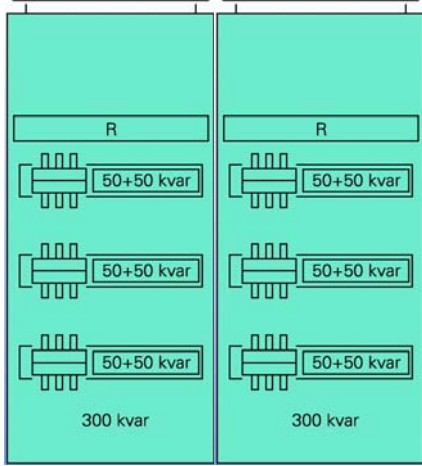
Dimension of Detuned Capacitor Bank with reactor  
Recommended design variants for total ratings 300 kvar to 900 kvar



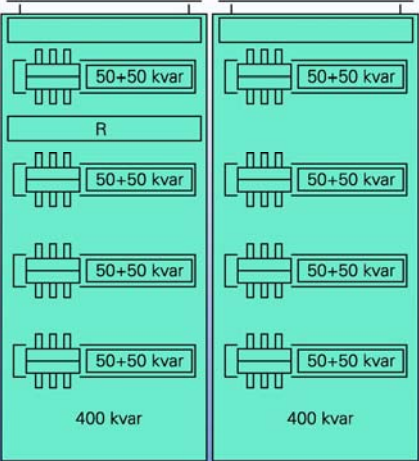
Total 300 kvar  
2200x800x1000 mm  
Dimension H x W x D  
2 x 800 M<sup>3</sup> / hr Ventilation fans



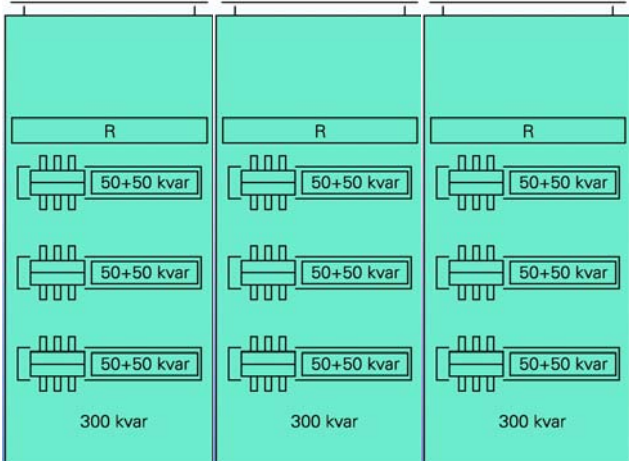
Total 400 kvar  
2200x800x1200 mm  
Dimension H x W x D  
3 x 800 M<sup>3</sup> / hr Ventilation fans



Total 500 - 600 kvar  
2200x1600x1000 mm  
Dimension H x W x D  
4 x 800 M<sup>3</sup> / hr Ventilation fans



Total 700 - 800 kvar  
2200x1600x1200 mm  
Dimension H x W x D  
6 x 800 M<sup>3</sup> / hr Ventilation fans



Total 900 kvar  
2200x2400x1000 mm  
Dimension H x W x D  
6 x 800 M<sup>3</sup> / hr Ventilation fans